

QUICK UP



A wide range to meet your needs

- Working height from 8m to 14m
- Available in (AC) or (DC)

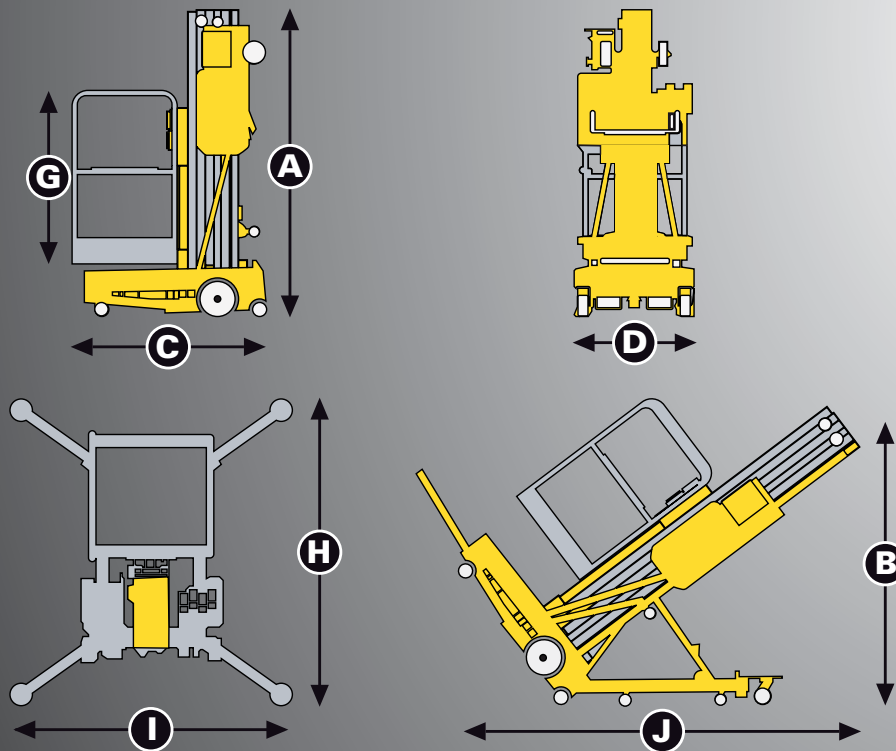
The Quick Up will follow you on every project

- Easy to transport on a trailer or a van
- Only one person needed to install a Quick Up
- The Quick Ups light weight enables use on tiles, stages, carpeting, shopping centres...
- Quick Ups are extremely compact, suitable to access the tightest spaces, fit through standard doorways and be carried in lifts



QUICKUP 8 / 11 / 12 / 14

PUSH AROUND LIFTS



TECHNICAL DATA

	QUICKUP 8	QUICKUP 11	QUICKUP 12	QUICKUP 14
Working height	7.9 m	10.7 m	12.4 m	13.9 m
Platform height	5.9 m	8.7 m	10.4 m	11.9 m
Lift capacity	159 kg	159 kg	136 kg	136 kg
Platform size	0.68 x 0.66 m	0.68 x 0.66 m	0.68 x 0.66 m	0.68 x 0.66 m
C - Length	1.28 m	1.4 m	1.46 m	1.4 m
D - Width	0.74 m	0.74 m	0.74 m	0.74 m
A - Height - stowed	1.78 m	1.98 m	1.98 m	2.8 m
I - Width - with stabilisers	1.4 m	1.6 m	1.81 m	2.02 m
H - Length - with stabilisers	1.7 m	1.9 m	2.1 m	2.32 m
JxB - Tilt bar	N/A	N/A	N/A	2.82 x 1.97 m
Energy (AC)	220 / 110 V	220 / 110 V	220 / 110 V	220 / 110 V
Weight (AC)	340 kg	400 kg	415 kg	480 kg
Energy (DC)	12 V	12 V	12 V	12 V
Weight (DC)	385 kg	445 kg	460 kg	525 kg

STANDARD EQUIPMENT

- Easy to use push button controls
- Emergency control
- Manual platform lowering valve
- Integrated forklift pockets
- Non marking wheels
- Lanyard attachment point
- Lifting eye
- Lights on control box to confirm if stabilisers are secure

OPTIONS AND ACCESSORIES

- Battery version (DC power)



Haulotte 
GROUP